

BL flexFORM

Flexible, Linear LED Strip Lighting
Monochromatic, 24VDC, Constant Voltage

D3 Series

Printed



Certification



Lighting



Lamp	LED, SMD 5060, 30 Diodes/FT
CRI	90+
Load	5.5W/FT
Beam Angle	120°
Average Life	50,000 Hours
Lumens	411 lm/FT (White)
Efficacy	78 lm/W (White)

Electrical

Control	0-10V, MLV Dimming
Input Voltage	24VDC
Max Input Current	5A
Connections	20AWG, Copper Conductors
Operating Temperature	-4°F to 104°F (-20°C to 40°C)
Circuit	Class 2

Mechanical

Housing Construction	Flexible PCB Board, Silicone Jacket
Cutting Increments	2 - 15/32" (6.3cm)
Maximum Run Length	16' - 4" (5M)
Environmental	IP65, IP68
Mounting	Clip, Adhesive, Double Sided Tape Compatible with BL fixFORM Series

Accessories

BL flexFORM D3 TK	Termination Kit, Factory Installed
BL flexFORM D3 JC	Jumper Cable, Factory Installed

PROJECT

CLIENT

TYPE

Solid State Lighting is sensitive to power fluctuations
Surge protection is highly recommended for all LED lighting products and should be on a designated circuit to protect against premature failure
Lack of surge protection may void your warranty

For more information, please download the
BL LIGHTING catalogue

BL LIGHTING. ILLUMINATE EVERYTHING

111 - 8838 Heather St. Vancouver, BC, Canada. V6P 3S8
P: 1-604-874-4405 F: 1-604-321-0445 E: info@bllighting.com
Copyright © 2017 BL INNOVATIVE LIGHTING. All Rights Reserved.

bllighting.com



BL flexFORM

Flexible, Linear LED Strip Lighting
Monochromatic, 24VDC, Constant Voltage

D3 Series

Printed

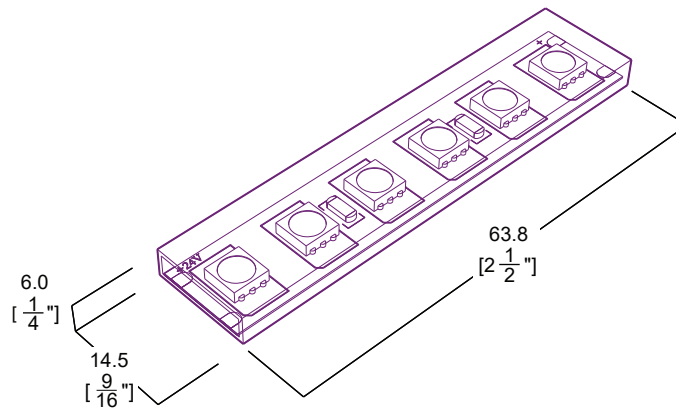
Performance

CCT/Color	Load	Lumens	Efficacy
3000K	5.50 W/FT	370 lm/FT	67 lm/W
4000K	5.50 W/FT	411 lm/FT	78 lm/W
6000K	5.50 W/FT	397 lm/FT	75 lm/W

Ordering

Series	CCT/Color	Ingress Protection
BL flexFORM D3	<input type="text"/> 30 = 3000K 40 = 4000K 60 = 6000K	<input type="text"/> 65 = IP65 68 = IP68

Dimensions



PROJECT CLIENT TYPE

Solid State Lighting is sensitive to power fluctuations
Surge protection is highly recommended for all LED lighting products and should be on a designated circuit to protect against premature failure
Lack of surge protection may void your warranty

For more information, please download the
BL LIGHTING catalogue

BL LIGHTING. ILLUMINATE EVERYTHING

111 - 8838 Heather St. Vancouver, BC, Canada. V6P 3S8
P: 1-604-874-4405 F: 1-604-321-0445 E: info@bllighting.com
Copyright © 2017 BL INNOVATIVE LIGHTING. All Rights Reserved.

bllighting.com

